

Compact Crawler Excavator

OPERATING WEIGHT	6,285 – 6,480 lbs (2,850 – 2,940 kg)
NET ENGINE POWER	28 hp (20.5 kW)
MAX DIG DEPTH	9' 7" (2.9 m)
MAX REACH	16' 4" (4.99 m)



COMPACT CRAWLER EXCAVATOR
TC29

Operating Data, Standard Equipment

Operating weight (rubber crawlers)	6,285 lbs (2,850 kg)
Operating weight (steel crawlers)	6,480 lbs (2,940 kg)
Overall length (travel position)	10' 2" (3.1 m)
Overall height (travel position)	9' 8" (2.9 m)
Total length (trailer transport position)	15' 5" (4.7 m)
Total height (top of cab)	8' 2" (2.5 m)
Total width (uppercarriage)	4' 5" (1.4 m)
Total width (undercarriage)	4' 6" (1.4 m)
Uppercarriage tailswing	4' 3" (1.3 m)
Working envelope (180°)	9' 2" (2.8 m)
Working envelope (360°)	10' 0" (3.1 m)
Ground clearance	11" (270 mm)
Bucket digging force (SAE J 1179)*	4,795 lbs (21,300 N)
Stick digging force (SAE J 1179)*	3,060 lbs (13,600 N)
Ground pressure (rubber crawlers)	3.8 psi (0.27 daN/cm ²)
Ground pressure (steel crawlers)	3.9 psi (0.28 daN/cm ²)

*Standard equipment, may vary with different bucket and/or dipperstick.



Specifications

Engine

Manufacturer, model	Mitsubishi, S 4L
Type	4-cylinder diesel engine
Combustion	4-stroke, swirl chamber injection
Net power rating at 2,200 rpm (SAE J 1349)	28 hp (20.5 kW)
Displacement	91 in ³ (1.5 L)
Cooling system	Water

Electrical System

Nominal voltage	12 V
Battery	12 V / 72 Ah

Power Transmission

Two-stage hydrostatic travel drive with axial piston variable displacement motor and reduction gear (fully enclosed). Brake valve for downhill drive.	
Travel speeds, forward and reverse	0-1.7 / 2.9 mph (0-2.7 / 4.6 km/h)
Gradeability	60%
Drawbar pull, 1st speed range	6,300 lbs (2,800 daN)
Travel motion alarm (acoustic signal) as standard.	

Undercarriage

Maintenance-friendly crawler-type undercarriage. Idler suspension with hydraulic crawler tensioning.	
Rubber crawlers / steel crawlers	12"/12" (300 / 300 mm)
Tread width	3' 6" (1.1 m)
Total length (sprocket - idler)	4' 6" (1.4 m)
Total length (undercarriage)	6' 0" (1.8 m)

Dozer Blade

Dozer blade available in "standard" and "extra-long" version (referring to distance crawler - dozer blade), independent of drive train, and sensitive control via hand lever.	
Width x height	56" x 13" (1,410 x 330 mm)
Cut below ground (standard/extra-long)	11"/12" (285 / 296 mm)
Lift above ground (standard/extra-long)	8"/16" (206 / 406 mm)
Slope angle (standard/extra-long)	22° / 28°
Slope balance (standard/extra-long)	9.2° / 8.1°

Steering

Independent control of tracks via hand controls or foot pedals.

Swing System

Hydrostatic drive. Internally toothed ring gear.	
Swing speed	0 - 10 rpm
Swing brake: Hydrostatic drive also provides dynamic braking. Additional spring-loaded multi-disc brake automatically acting when the swing control lever is in neutral position.	

Hydraulic System

LS-axial-piston variable displacement pump, load-sensing and load-independent flow division (LUDV) for all work functions and travel drive, 3 simultaneous movements possible.	
Working pressure	3,050 psi (210 bar)
Variable pump capacity maximum	26 gpm (99 Lpm)
Return line filter with electric contamination indicator. Compact hydraulic oil radiator provided as standard. Boom, dipperstick and articulated cylinders with end-position damping on both sides, bucket retract function with one-side end-position damping.	
Additional control circuit for work attachments provided as standard.	
Maximum working pressure	3,050 psi (210 bar)
Hydraulic power	11 gpm (40 Lpm) @ 1,750 psi (120 bar) 9 gpm (33 Lpm) @ 2,600 psi (180 bar)
Open return as standard. All functions can be activated proportionally. Two servo-assisted four-way control levers for excavator operations. Safety cut-off of all functions as soon as driver leaves cab.	

Knickmatik®

Lateral parallel adjustment of boom arrangement at full digging depth.	
Angle of artic./ lateral adjustment left	60° / 18" (60° / 445 mm)
Angle of artic./ lateral adjustment right	60° / 23" (60° / 595 mm)

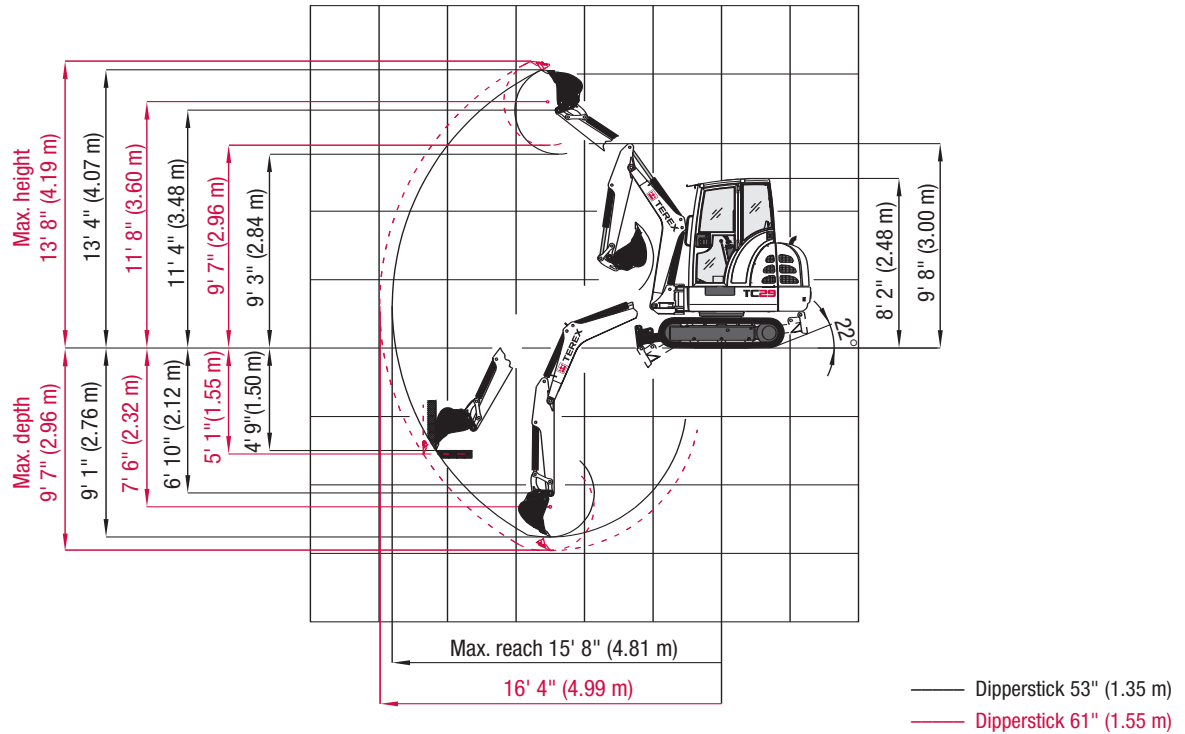
Cab

Spacious, sound-insulated full-vision steel cab with two equally large doors. TOPS certified. Safety glass windows. Thermo windows tinted in green. Skylight thermo window. Front window supported by pneumatic springs, lockable in place for ventilation and slideable under cab roof. Windshield washer. Glove box. Instrument panel on the right side of the operator's seat with visual and acoustic warning device. Left-hand outside rear-view mirror. Cab heating with windshield defroster through coolant heat exchanger and 2-setting fan and ventilating mode in summer. Fabric-covered, hydraulically cushioned operator's seat with height-adjustable armrests, height, tilt and weight adjustments and lap belt.	
Working floodlight Halogen H-3.	
Noise emission ambience LWA / Noise emission cab LpA 97 / 79 dB (A)	

Fluid Capacities

Fuel tank	13.7 gal (52 L)
Hydraulic system	22.5 gal (85 L)

Working Ranges & Dimensions



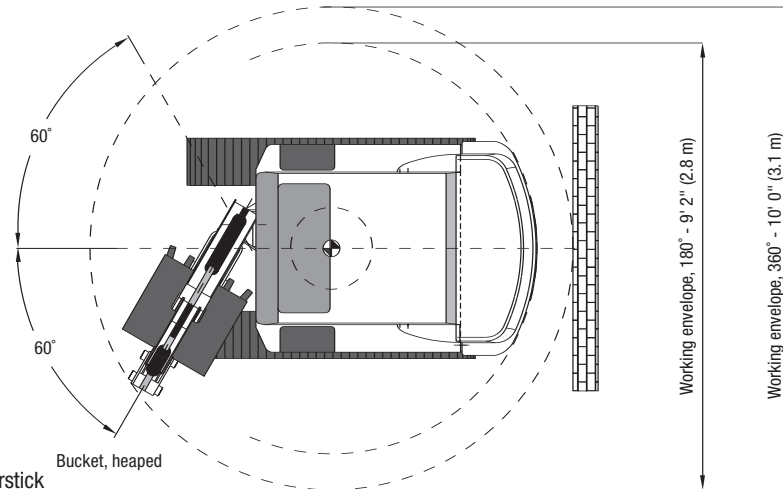
Lifting Capacities: 53" (1.35 m) Dipperstick

Unit: x 1,000 lbs (Metric tons)		Load radius from the center of the ring gear									
Bucket hinge pin height	6' 7" (2.0 m)		8' 2" (2.5 m)		9' 10" (3.0 m)		11' 6" (3.5 m)		13' 1" (4.0 m)		
	End	Side	End	Side	End	Side	End	Side	End	Side	
6' 7" (2.0 m)											
Supported by blade	-	-	1.83 (0.83)	1.50 (0.68)	1.72 (0.78)	1.19(0.54)	1.45 (0.66)	0.86 (0.39)	-	-	
Traveling	-	-	1.50 (0.68)	1.45 (0.66)	1.17 (0.53)	1.17 (0.53)	0.84 (0.38)	0.84 (0.38)	-	-	
3' 3" (1.0 m)											
Supported by blade	3.10 (1.41)	2.07 (0.94)	2.29 (1.04)	1.47 (0.67)	2.00 (0.91)	1.12 (0.51)	1.69 (0.77)	0.84 (0.38)	1.19 (0.54)	0.70 (0.32)	
Traveling	1.87 (0.85)	2.05 (0.93)	1.47 (0.67)	1.45 (0.66)	0.99 (0.45)	1.08 (0.49)	0.79 (0.36)	0.81 (0.37)	0.66 (0.30)	0.68 (0.31)	
0											
Supported by blade	2.97 (1.35)	1.78 (0.81)	2.16 (0.98)	1.28 (0.58)	1.65 (0.75)	1.06 (0.48)	1.36 (0.62)	0.81 (0.37)	1.14 (0.52)	0.70 (0.32)	
Traveling	1.67 (0.76)	1.72 (0.78)	1.23 (0.56)	1.25 (0.57)	0.99 (0.45)	1.01 (0.46)	0.77 (0.35)	0.79 (0.36)	0.64 (0.29)	0.66 (0.30)	
-3' 3" (-1.0 m)											
Supported by blade	2.29 (1.04)	1.94 (0.88)	1.87 (0.85)	1.14 (0.52)	1.50 (0.68)	1.01 (0.46)	0.99 (0.45)	0.81 (0.37)	-	-	
Traveling	1.65 (0.75)	1.80 (0.82)	1.10 (0.50)	1.12 (0.51)	0.95 (0.43)	0.99 (0.45)	0.77 (0.35)	0.79 (0.36)	-	-	

The above loads (all values in lbs x 1,000 resp. metric tons) are in compliance with SAE J 1097. They do not exceed 87% of hydraulic lifting capacity or 75% of tipping capacity. All values were determined with quick-attach system but without bucket. In case of mounted-on work attachments, the deadweights of the work attachments must be deducted from the permissible payloads. Work equipment: Rubber crawlers, dipperstick 53" (1.35 m).

Compact Crawler Excavator TC29

Working Envelope / Top View



Attachments / Accessories

Optional Accessories

Mechanical quick-coupler system for work tools (QMH)	
Luxury height-adjustable operator's seat with extra-high back rest progressively adjustable to operator's weight. Seating has tilt and lengthwise adjustment.	
Dipperstick	61" (1.6 m)
Cab-mounted working floodlight (front and rear)	
Boom-mounted working floodlight	
Crane loading wire-ropes harness	
Track shoes with "Felasto" tiles	
Quick-change adapter for hydraulic hammer	
Filling with biodegradable hydraulic oil, ester-based, VI 68	
Immobilizer (anti-theft device)	

Bucket Options

Pin-on Style / Quick Coupler	Capacity cu. ft.	(Liters)
10" (250 mm) H.D. Bucket	1.4	40
12" (300 mm) H.D. Bucket	1.6	45
16" (400 mm) H.D. Bucket	2.5	70
18" (450 mm) H.D. Bucket	2.8	80
20" (500 mm) H.D. Bucket	3.4	96
24" (600 mm) H.D. Bucket	4.0	113

Hydraulic Hammer

Sound-insulated. Tools: Moil point or chisel point



Terex Construction Americas

8800 Rostin Road
Southaven, MS 38671
USA

TEL 662-393-1800
SALES 866-837-3923
PARTS & TECH SUPPORT 888-201-6008
FAX 662-393-1700
EMAIL sales@terexca.com
WEB terexca.com

For more information, product demonstration, or details on purchase, lease and rental plans, please contact your local Terex Distributor.

Effective Date: May 1, 2007. Product specifications and prices are subject to change without notice or obligation. The photographs and/or drawings in this document are for illustrative purposes only. Refer to the appropriate Operator's Manual for instructions on the proper use of this equipment. Failure to follow the appropriate Operator's Manual when using our equipment or to otherwise act irresponsibly may result in serious injury or death. The only warranty applicable to our equipment is the standard written warranty applicable to the particular product and sale and Terex makes no other warranty, express or implied. Products and services listed may be trademarks, service marks or trade-names of Terex Corporation and/or its subsidiaries in the USA and other countries and all rights are reserved. Terex® is a registered trademark of Terex Corporation in the USA and many other countries. Copyright © 2007 Terex Corporation.